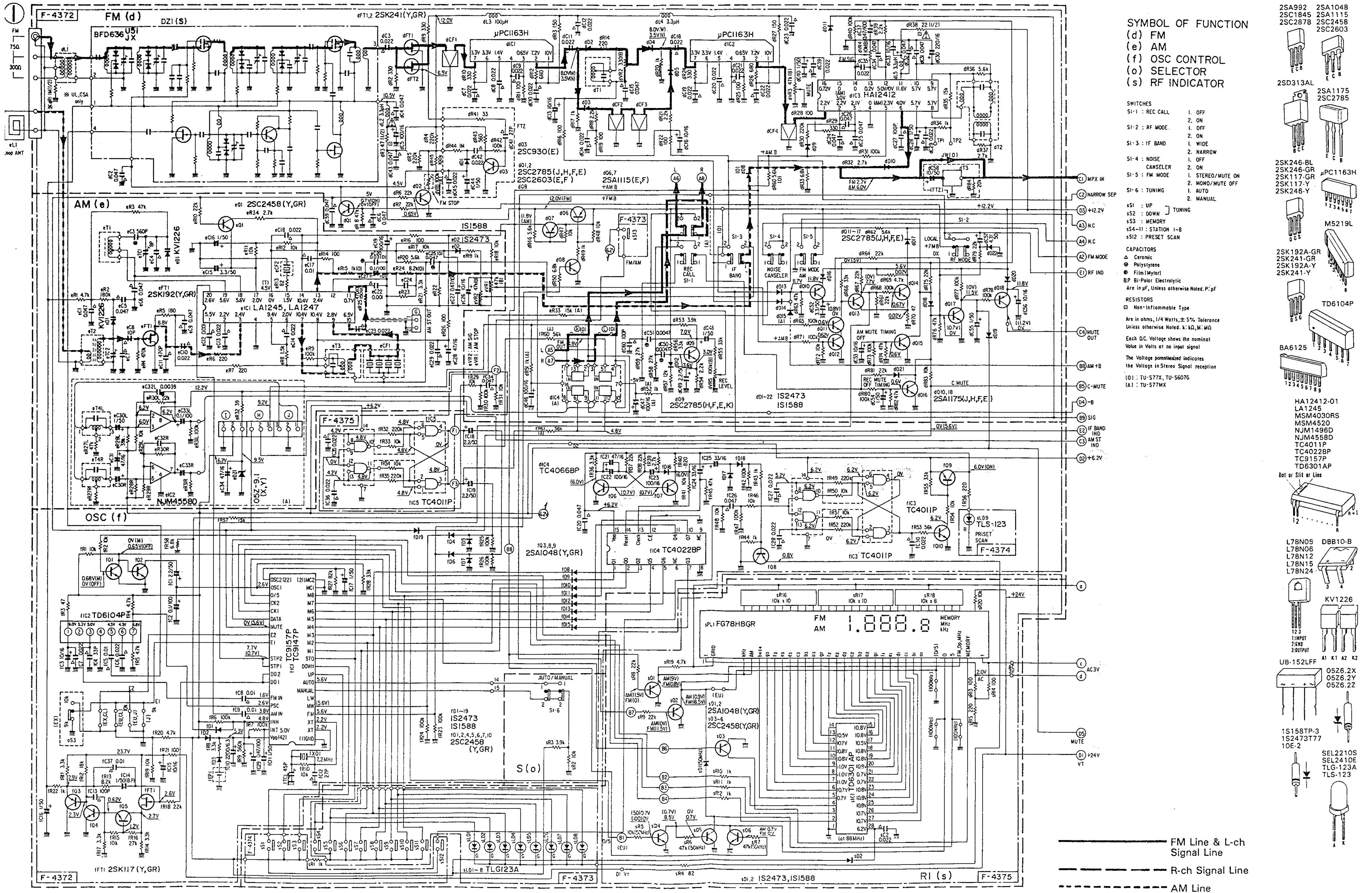


5. SCHEMATIC DIAGRAM 5-1. RF, IF & Control Section

*Design and specifications subject to change without notice for improvement.
 *La présentation et les spécifications sont susceptibles d'être modifiées sans préavis par suites d'améliorations éventuelles.
 *Änderungen, die dem technischen Fortschritt dienen, bleiben vorbehalten.



SYMBOL OF FUNCTION

(d) FM
 (e) AM
 (f) OSC CONTROL
 (o) SELECTOR
 (s) RF INDICATOR

SWITCHES

SI-1 : REC CALL
 SI-2 : RF MODE
 SI-3 : IF BAND
 SI-4 : NOISE CANCELER
 SI-5 : FM MODE
 SI-6 : TUNING

1. OFF
 2. ON
 1. OFF
 2. ON
 1. WIDE
 2. NARROW
 1. OFF
 2. ON
 1. STEREO/MUTE ON
 2. MONO/MUTE OFF
 1. AUTO
 2. MANUAL

CAPACITORS

△ Ceramic
 ● Polystyrene
 ⊙ Film (Mylar)
 ⊕ Bi-Polar Electrolytic
 Are in pF, unless otherwise noted. P: pF

RESISTORS

□ Non-Inflammable Type
 Are in ohms, 1/4 Watts, ±5% Tolerance
 Unless otherwise noted. K: kΩ, M: MΩ

Each D.C. Voltage shows the nominal value in Volts or no input signal
 The Voltage parenthesized indicates the Voltage in Stereo Signal reception
 (O) : TU-S77X, TU-S6076
 (A) : TU-S77XW

Legend:

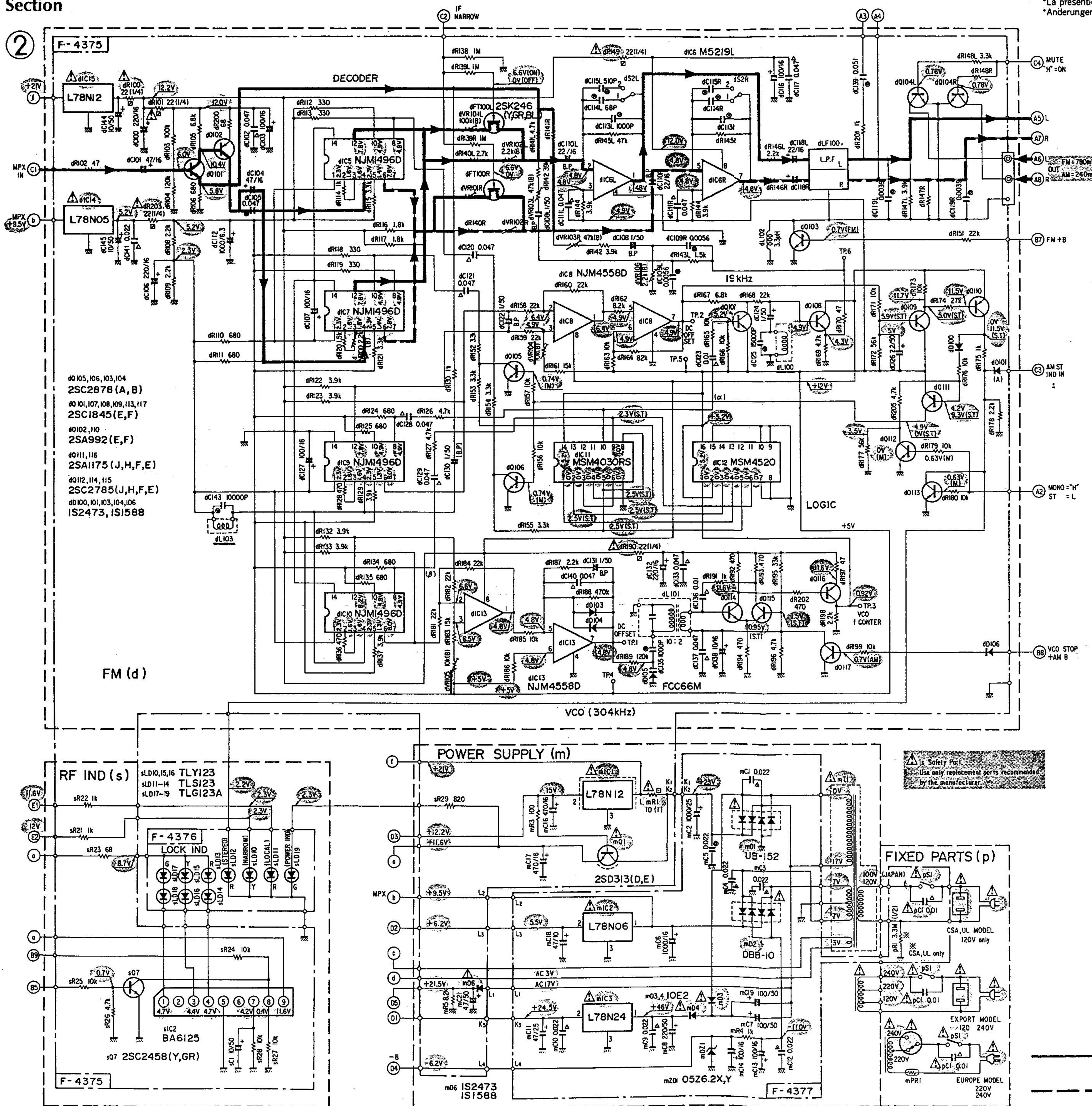
- FM Line & L-ch Signal Line (Solid line)
- R-ch Signal Line (Dashed line)
- AM Line (Dotted line)

Component List:

- 2SA992, 2SA1048, 2SC1845, 2SA1115, 2SC2878, 2SC2458, 2SC2603
- 2SD313AL, 2SA1175, 2SC2785
- 2SK246-BL, 2SK246-GR, 2SK117-GR, 2SK117-Y, 2SK246-Y
- 2SK192A-GR, 2SK241-GR, 2SK192A-Y, 2SK241-Y
- HA12412-01, LA1245, MSM4030RS, MSM4520, NJM1496D, NJM4558D, TC4011P, TC4022BP, TC9157P, TD6301AP
- L78N05, L78N06, L78N12, L78N15, L78N24
- DBB10-B, KV1226
- UB-152LFF, 0526.2X, 0526.2Y, 0526.2Z
- 1S158TP-3, 1S2473T77, 10E-2
- SEL2210S, SEL2410E, TLG-123A, TLS-123

5-2. MPX Section

*Design and specifications subject to change without notice for improvement.
 *La présentation et les spécifications sont susceptibles d'être modifiées sans préavis par suites d'améliorations éventuelles.
 *Änderungen, die dem technischen Fortschritt dienen, bleiben vorbehalten.



- SWITCH & Adjust**
- 452(L,R) FM de-emphasis 1. 50µs, 2. 75µs
 - POWER SW ON, OFF
 - Birdy Beat CANCEL Adjust
 - NARROW, SEPA Adjust
 - WIDE, SEPA Adjust
 - 19kHz Pilot CANCEL Adjust
 - 19kHz DC Amp DC OFFSET Adjust
 - VCO L-P Amp DC OFFSET Adjust
- CAPACITORS**
- Are in µF, Unless otherwise Noted. P: P
 ▲ Barrier Layer
 ▲ Ceramic
 ● Polystyrene
 ● Film (Mylar)
 ● Metallized Paper
 B.P. Bi-Polar Electrolytic
- RESISTORS**
- Are in ohms, 1/4 Watts, ±5% Tolerance
 Unless otherwise Noted. k:kΩ, M:MΩ
- Fusing type
 □ Non-Inflammable type
- Each DC Voltage shows the nominal Value in Volts at no input signal
- The voltage parenthesized indicates the voltage is stereo signal reception
- (O): TU-S77X, TU-S607G
 (A): TU-S77AMX

- 2SA992
- 2SA1048
- 2SC1845
- 2SA1115
- 2SC2878
- 2SC2458
- 2SC2603
- 2SD313AL
- 2SA1175
- 2SC2785
- 2SK246-BL
- 2SK246-GR
- 2SK241-GR
- 2SK117-GR
- 2SK117-Y
- 2SK246-Y
- APC1163H
- M5219L
- 2SK192A-GR
- 2SK241-GR
- 2SK192A-Y
- 2SK241-Y
- TD6104P
- BA6125
- HA12412-01
- LA1245
- MSM4030RS
- MSM4520
- NJM1496D
- NJM4558D
- TC4011P
- TC4022BP
- TC9157P
- TD6301AP
- DBB10-B
- KV1226
- UB-152LFF
- 05Z6.2X
- 05Z6.2Y
- 05Z6.2Z
- 1S158TP-3
- 1S2473T77
- 10E-2
- SEL2210S
- SEL2410E
- TLG-123A
- TL5-123

— Compsit, Sub Channel & L-ch Signal Line
 - - - Sub Channel & R-ch Signal Line

1
2
3
4
5